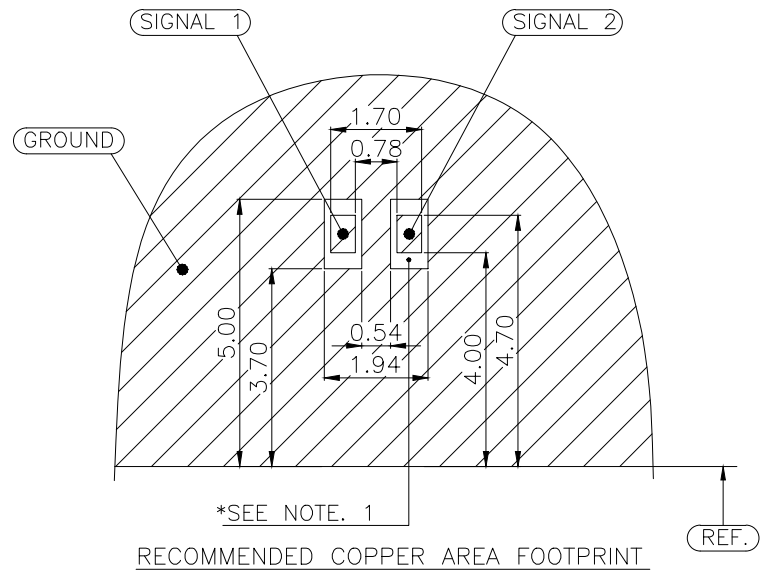
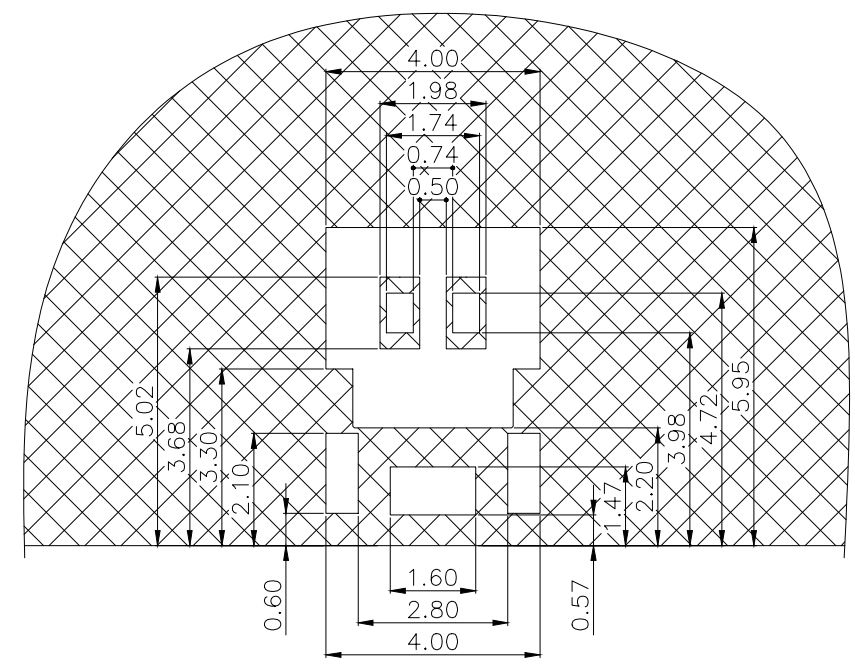


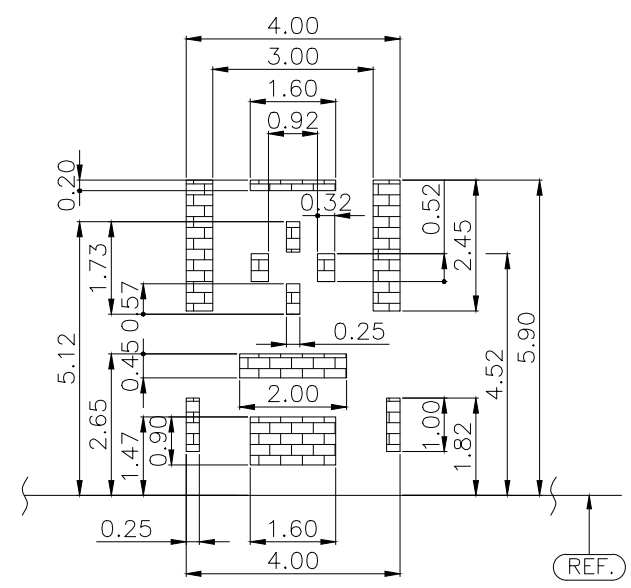
REVISION	
NO.	CHANGE CONTENTS
	CHANGE CAUSE



RECOMMENDED COPPER AREA FOOTPRINT



RECOMMENDED PSR AREA FOOTPRINT



METAL MASK AREA
THICKNESS 0.08

- ▨ COPPER AREA(GROUND/SIGNAL)
- ▩ PSR AREA
- ▧ METAL MASK AREA



NOTES:
1. NON COPPER AREA

NO.	PART NO.	DESCRIPTION				Q'TY	MATERIAL	REMARKS	REV.
MATERIAL	N/A	DRAW	DESIGN	CHECK	APPRO.	TITLE RECEPTACLE PCB FOOTPRINT			
FINISH	N/A	JK.Choi		DH.Kang SC.Cho		P/N MG210RE03			
TOLERANCE	Decimal ±0.03	Angle N/A	23.03.20	23.03.20	23.03.20				
SCALE	10/1	UNIT	mm	MODEL		MG210		A3	
REVISION	00	SHEET	1/1						